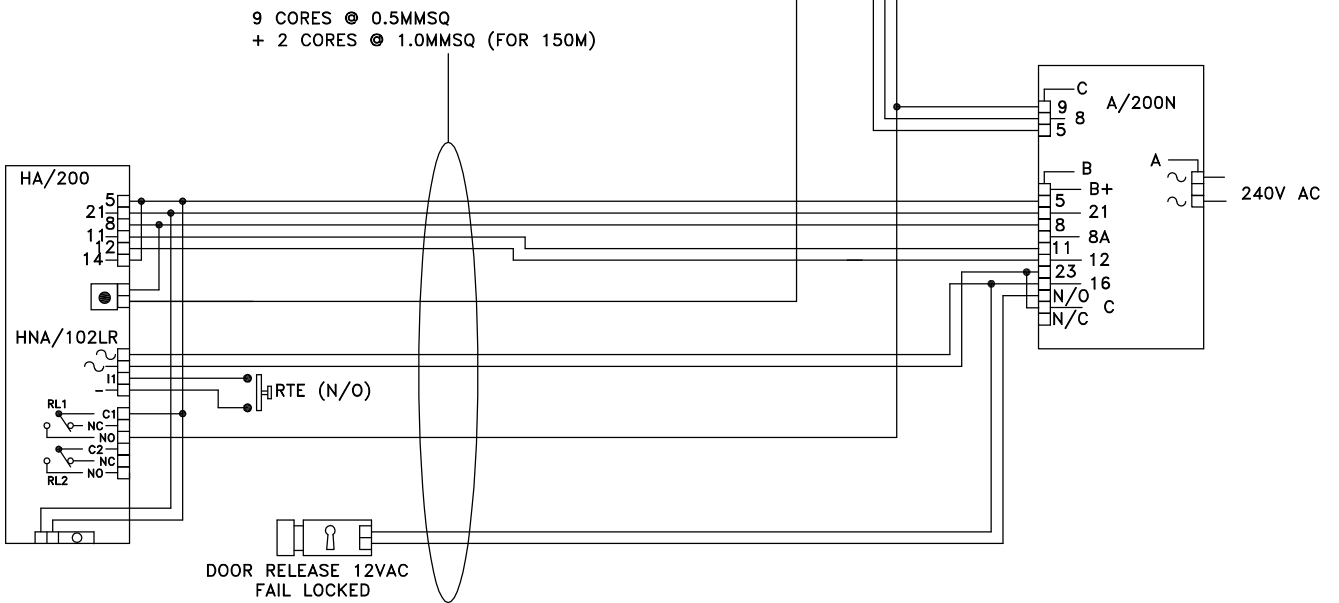


NOTE:  
THIS DRAWING INDICATES AND ASSUMES THE USE OF  
A MINIMUM OF 0.5MM CSA PER CORE.

4 CORES @ 0.5MMSQ (FOR 100M)

YC/200UK



BPT (UK) LTD.  
HERTS. ENGLAND

PREPARED FOR  
INSTALLER INFORMATION

DATE: 01/09/04

DRAWN:RC

REVISED:

DRAWING TITLE:

SINGLE HOUSE INSTALLATION USING 1 TARGHA  
AUDIO ENTRY PANEL WITH HNA102 KEYPAD

DRAWING No: E-1T1Y1LK